

AUDIOSCENIC VIRTUA

HARDWARE DEVELOPMENT KIT



Description

The **Audioscenic Virtua HDK** enables R&D teams and first-time experimenters to rapidly test and prototype exciting new 3D audio-based applications, paving the way towards highly innovative products and experiences.

Featuring 2" Celestion drivers and a high-performance 4" subwoofer, the Virtua HDK can deliver pristine and natural 3D audio. The standard Virtua HDK is equipped with an evaluation copy of the Audioscenic Virtua SW, immediately ready to render 3D sound in Windows and Linux OS.

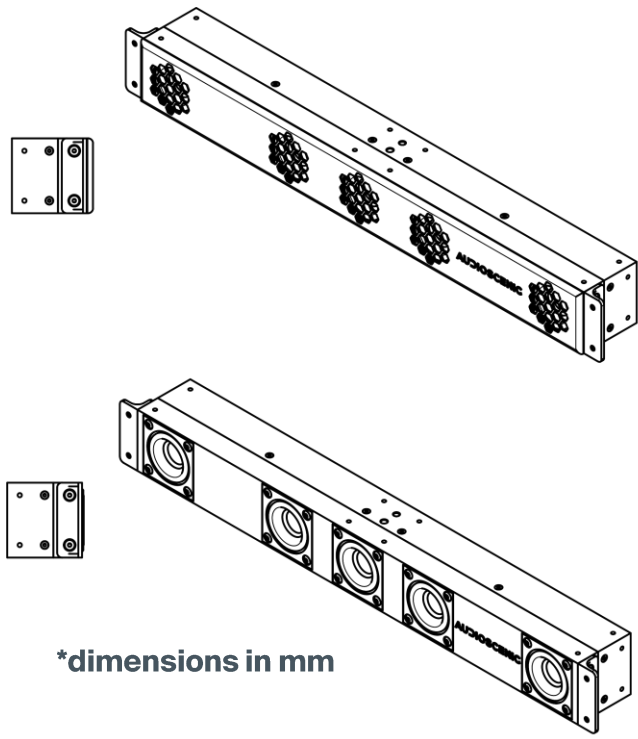
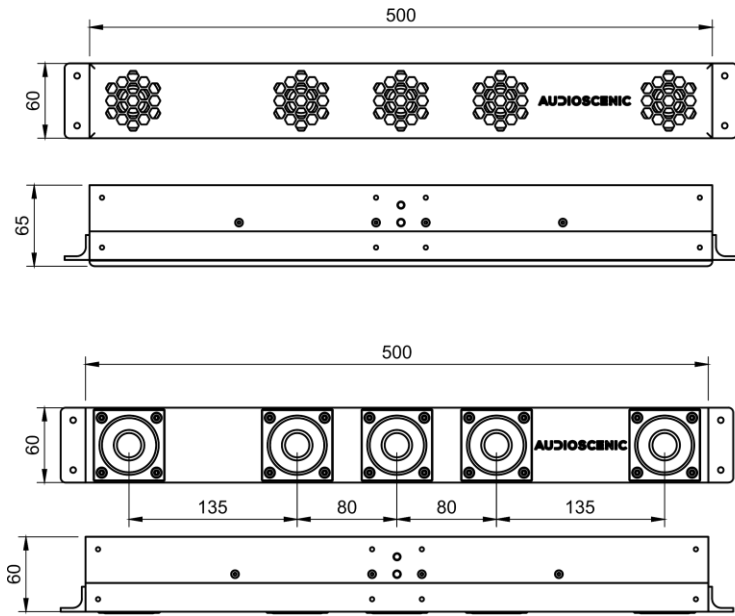
The Virtua HDK comes equipped with an RGB camera and can also be combined with any proprietary head-tracking system.

For more information about how to get an HDK contact info@audioscenic.com

Applications

- Virtual, Augmented and Simulated Reality applications
- Development of advanced 3D consumer electronic products
- Interactive digital signage and public space applications
- Immersive 3D audio for lobbies and museum displays

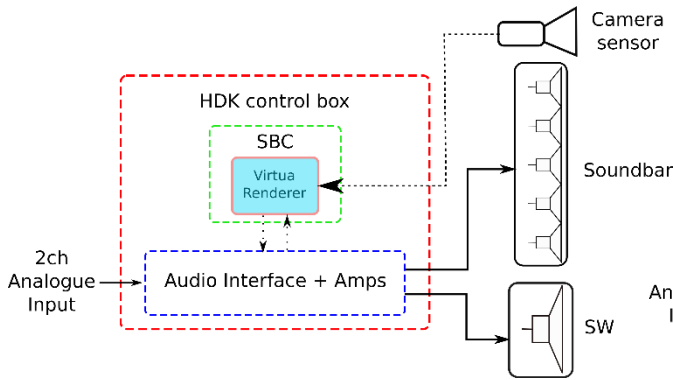




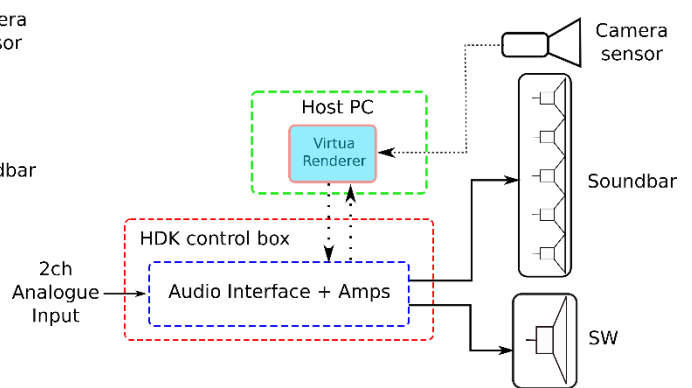
*dimensions in mm

The Virtua HDK is compact (500x60x65mm) and can be easily integrated. It features a range of mounting points for ease of installation.

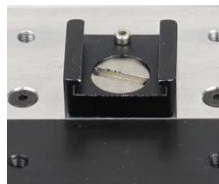
Standalone



Host-Bundled



The Virtua HDK can be used in **standalone** mode (powered by an Up! single board computer) or in **host-bundled** mode (Audioscenic Virtua SW running in Windows/Linux host computer) - both versions admit a 2ch analogue audio input.



The Virtua HDK comes equipped with a mount for the bundled RGB camera in addition to a hot-shoe mount for any proprietary tracking system.